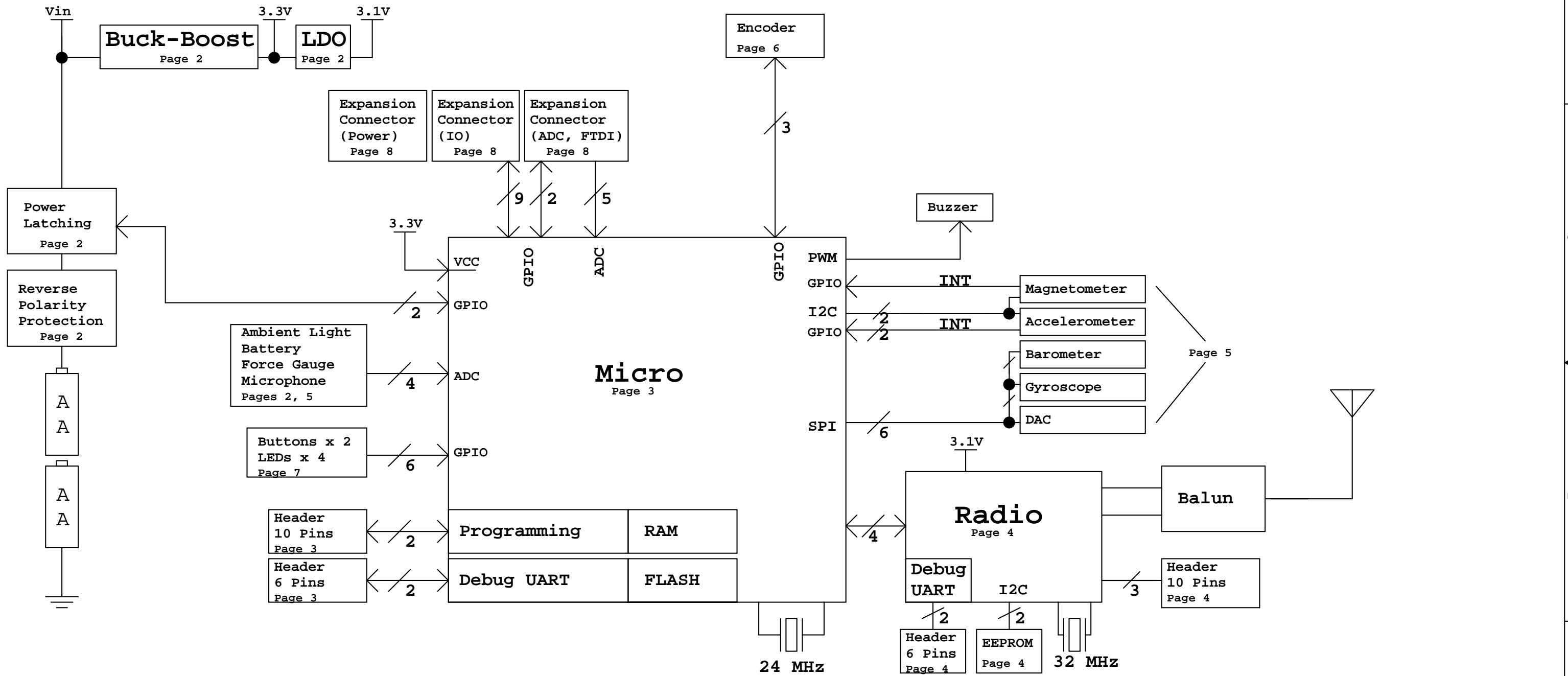
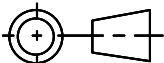

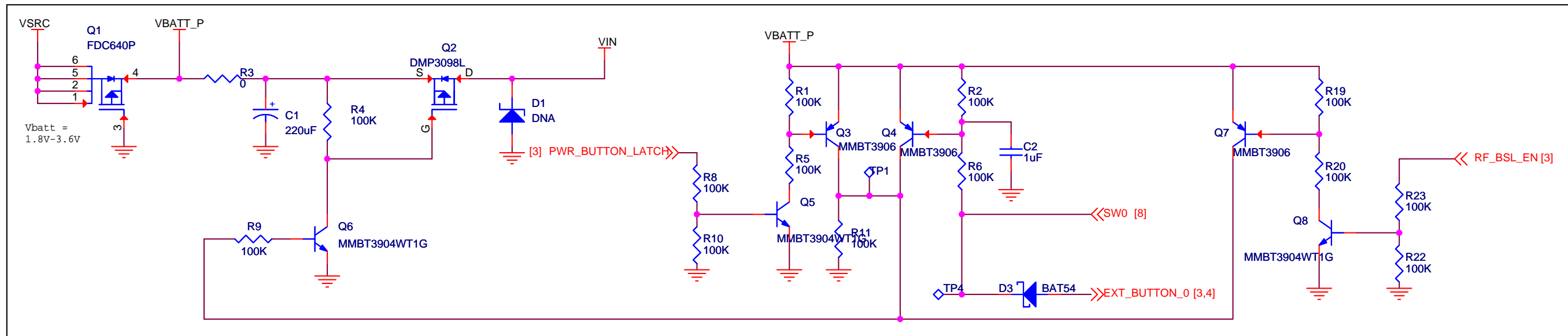


System Block Diagram

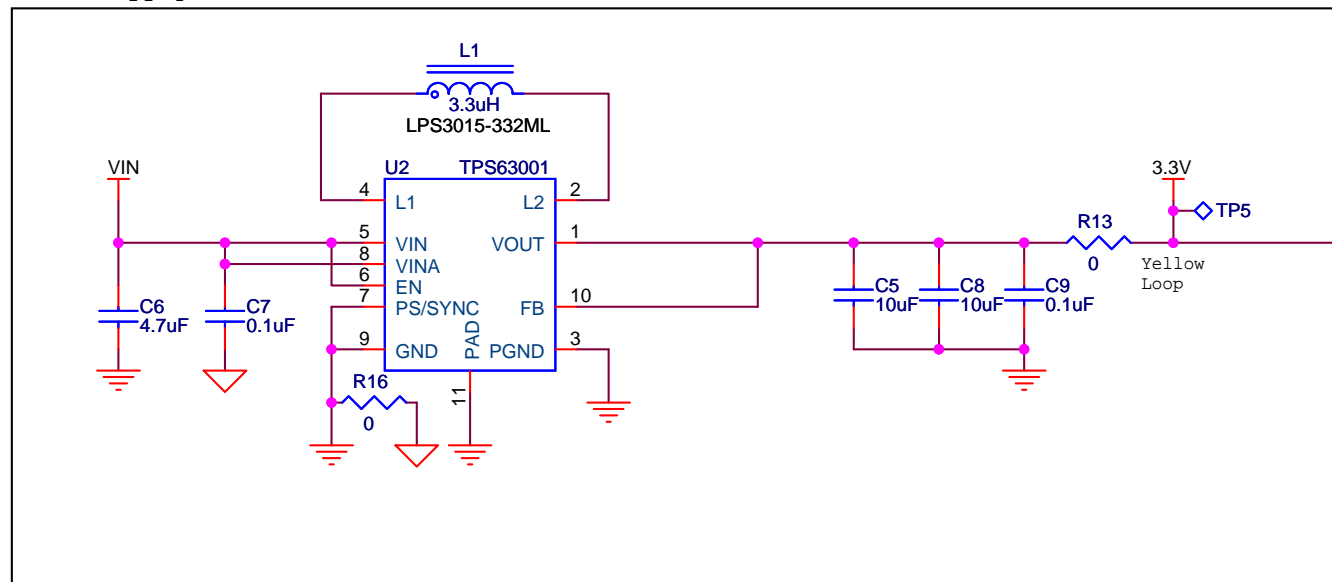


THIRD ANGLE PROJECTION  FEATURES AND DIMENSIONS NOT SHOWN SHALL BE VERIFIED IN THE DATABASE. DRAWING SHOULD NOT BE SCALED	 © 2012 ALL RIGHTS RESERVED		PROPRIETARY USE PURSUANT TO COMPANY INSTRUCTIONS	
	DRAWING TITLE: Remote PROJECT NAME: IOLab			
ENGR: M. Streicher	SIZE B	DATE 1-20-2014	DRAWING NO. 1814E15	REV 1
DRAWN: M. Streicher		SCALE: NO SCALE		SHEET 1 OF 8

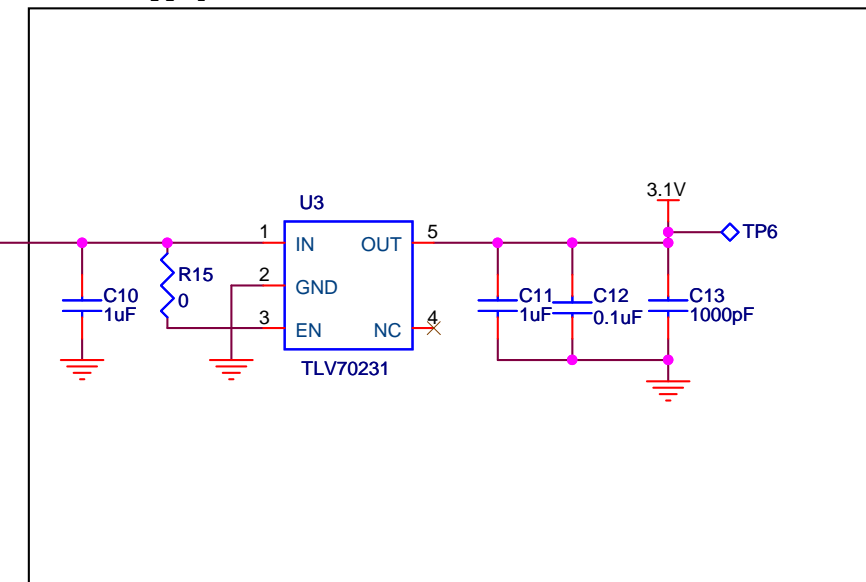
Input Protection, Power Latching



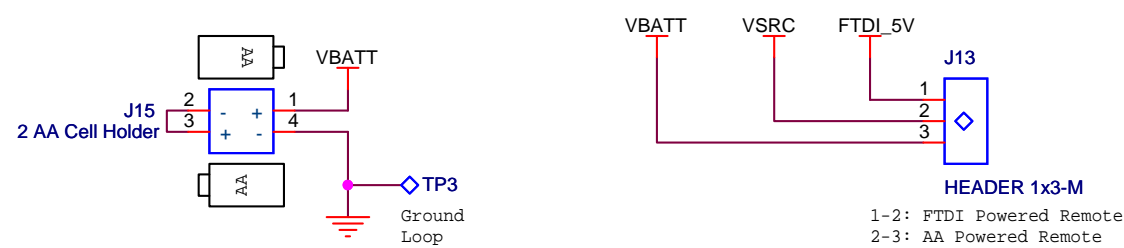
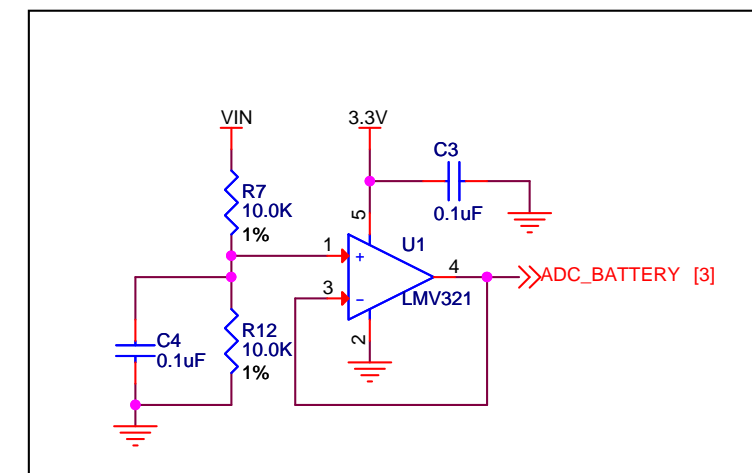
3.3V Supply



Radio Supply



Battery Monitoring



Power Supplies

		PROPRIETARY USE PURSUANT TO COMPANY INSTRUCTIONS	
		© 2012 ALL RIGHTS RESERVED	DRAWING NO. 1814E15
SIZE B	DATE 1-20-2014	SCALE: NO SCALE	SHEET 2 OF 8

5

4

3

2

1

D

C

B

A



		PROPRIETARY USE PURSUANT TO COMPANY INSTRUCTIONS	
© 2012 ALL RIGHTS RESERVED			
SIZE B	DATE 1-20-2014	DRAWING NO. 1814E15	REV 1
SCALE: NO SCALE		SHEET 4 OF 8	

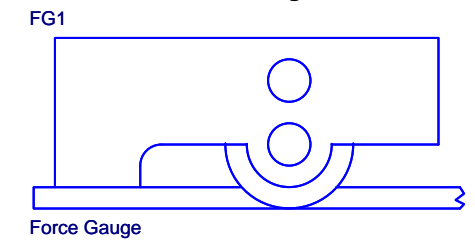
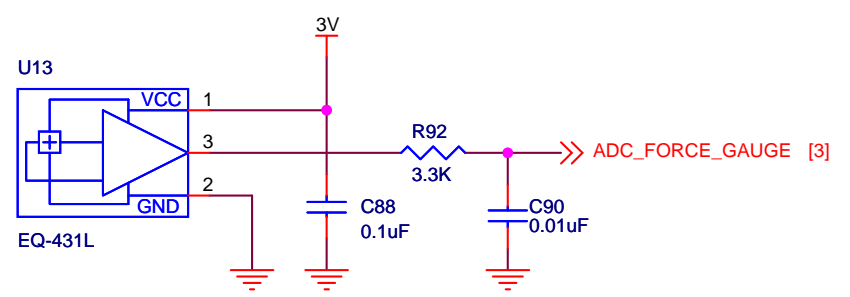
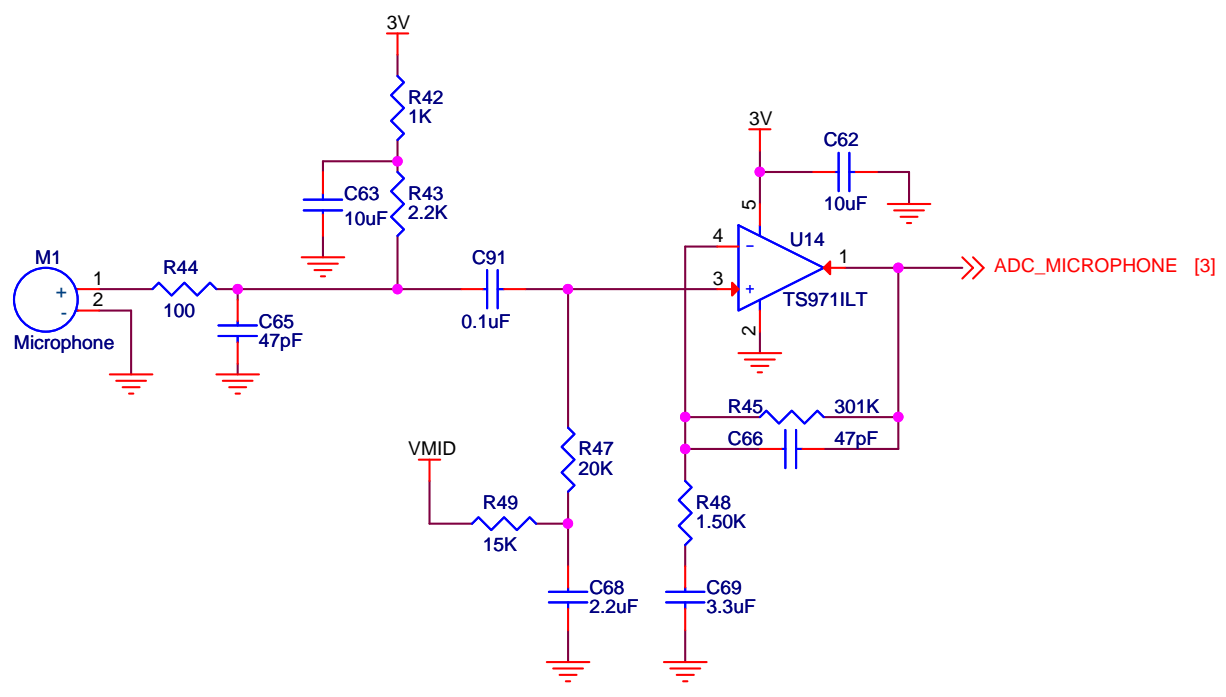
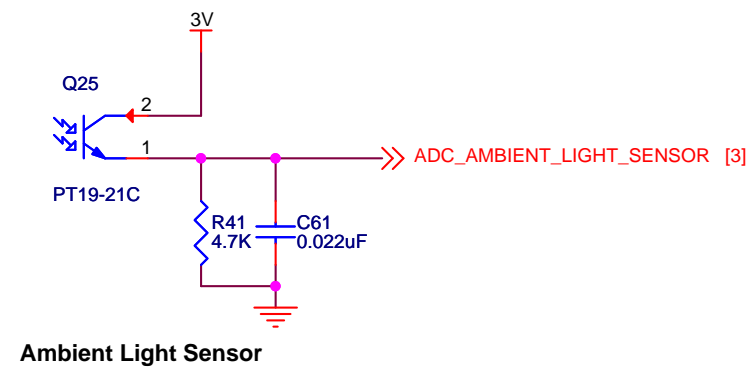
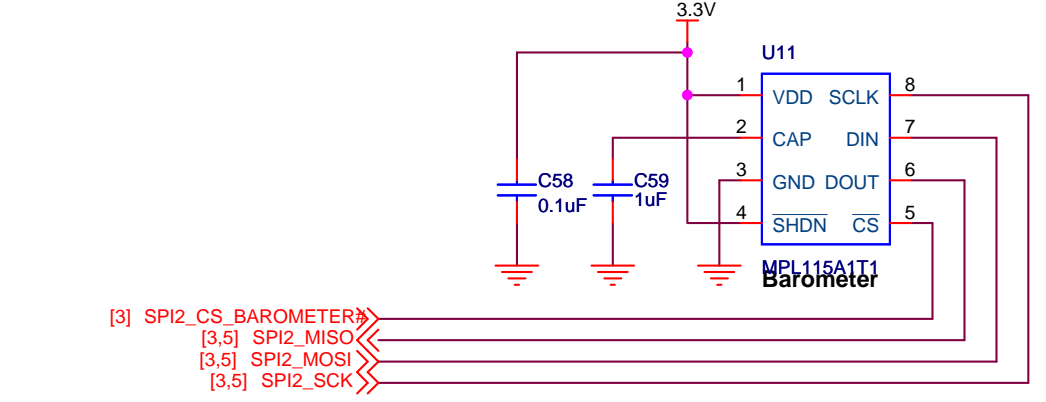
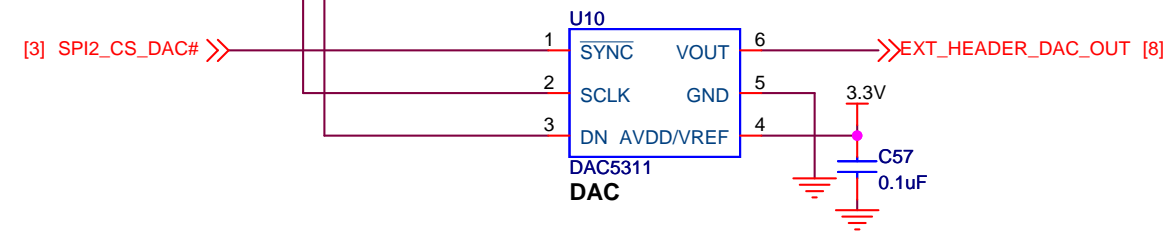
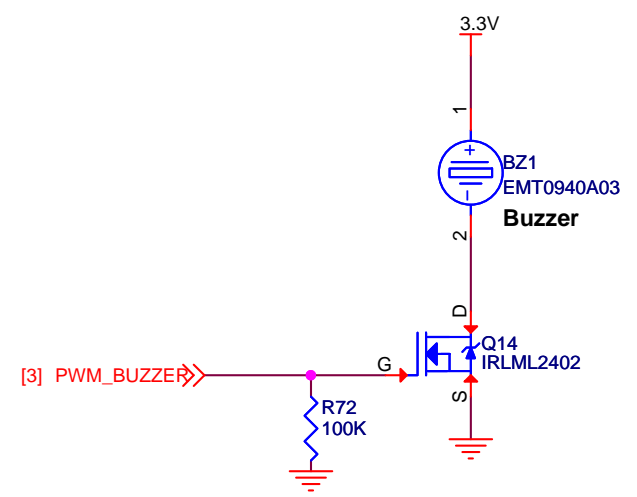
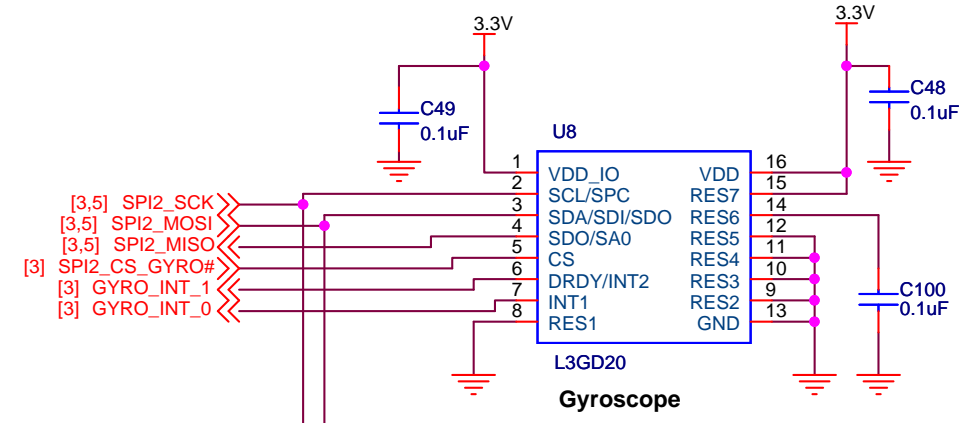
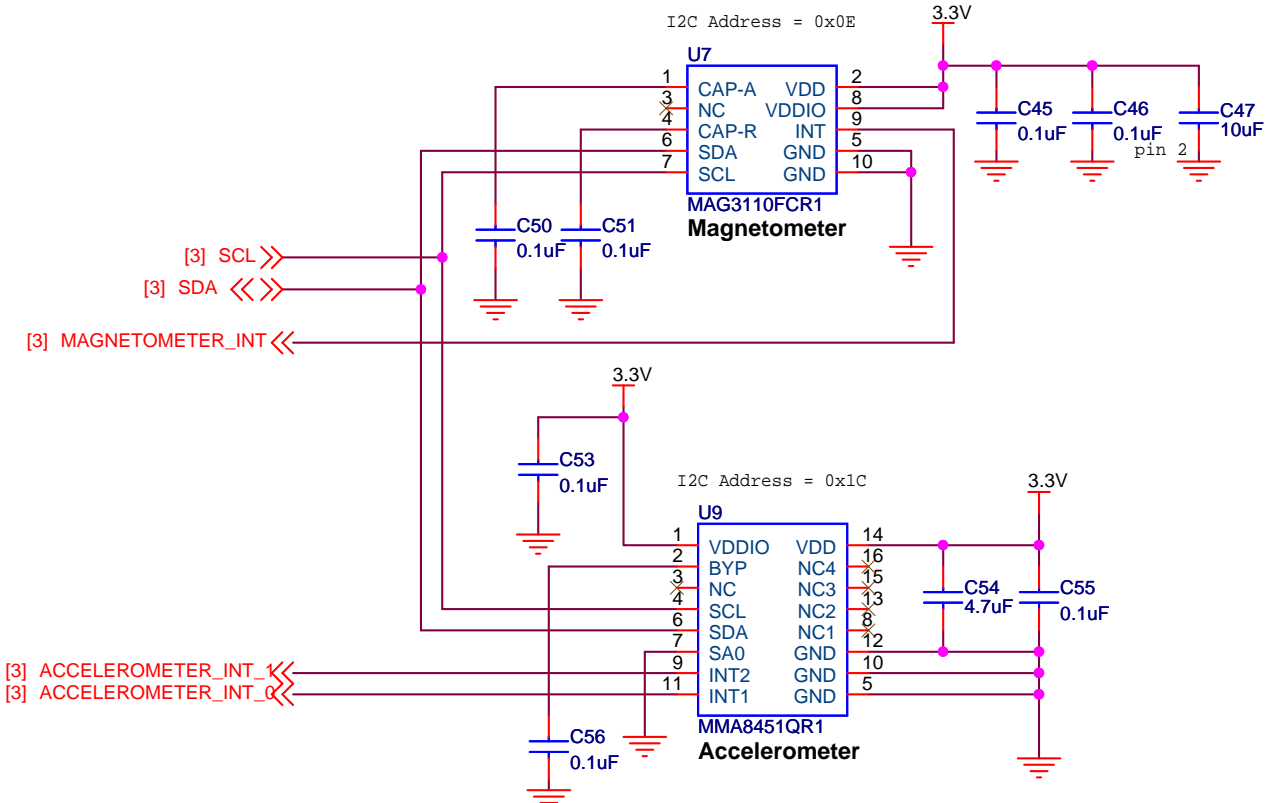
5

4

3

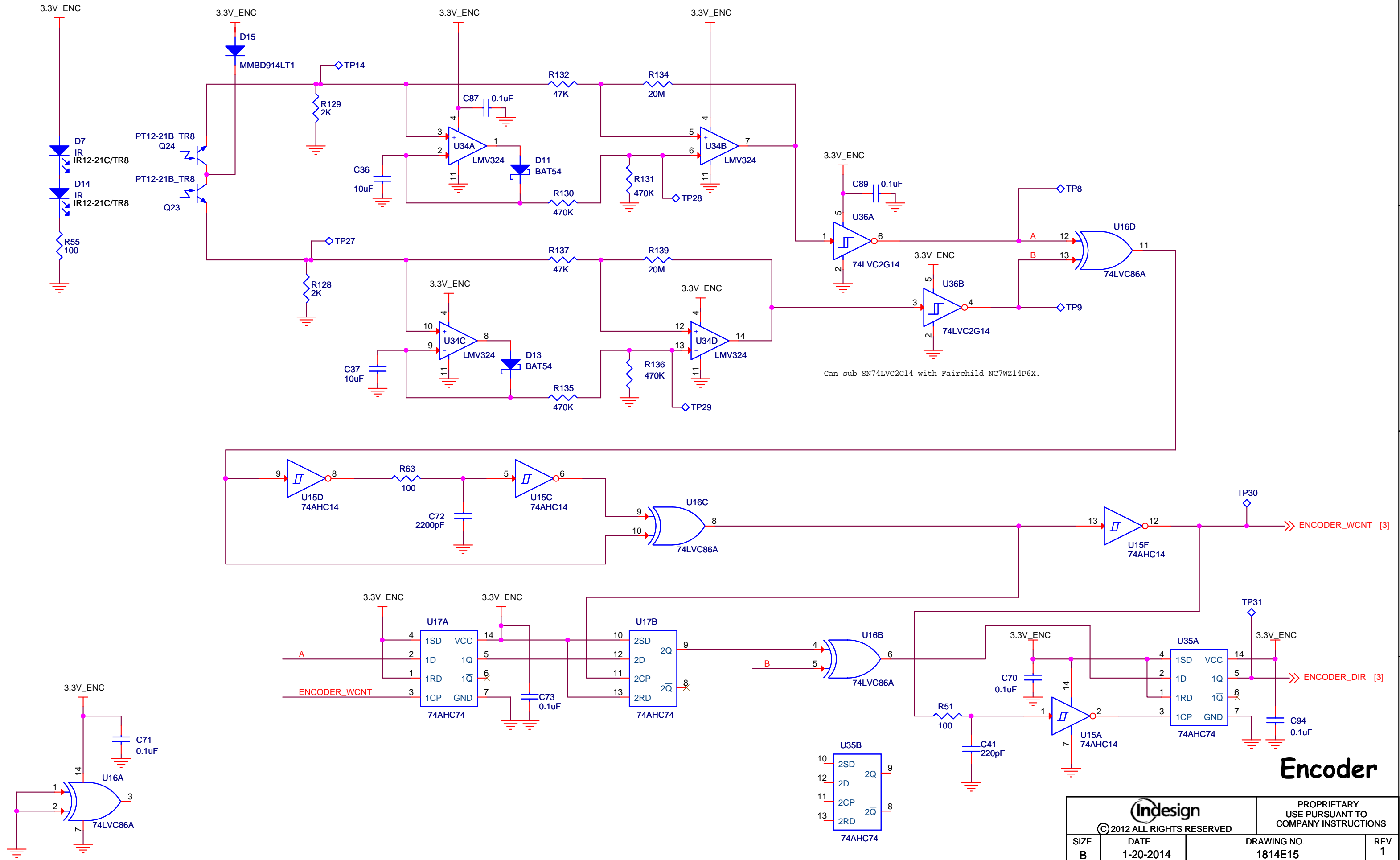
2

1



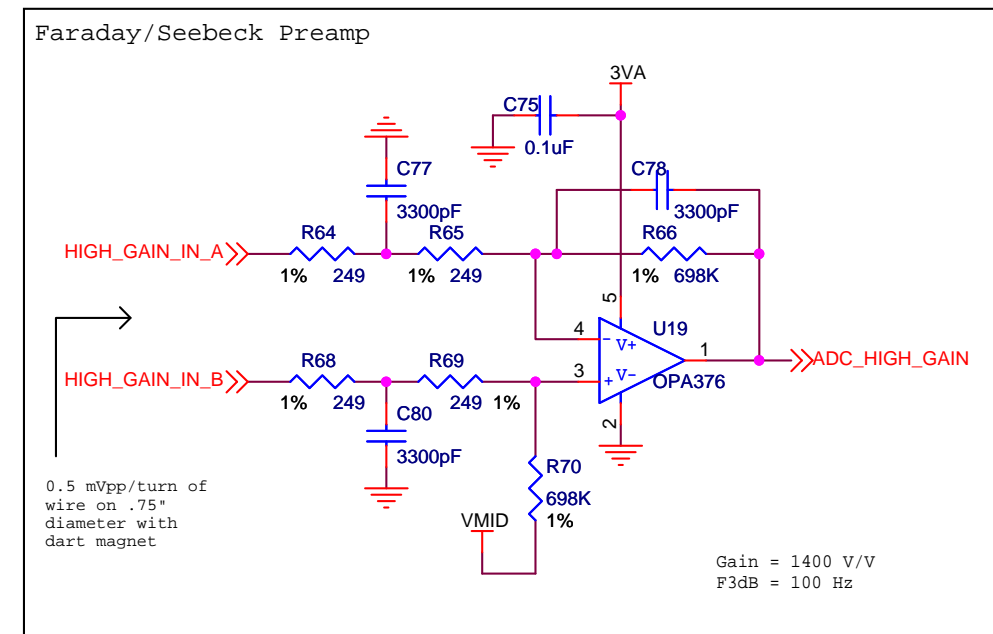
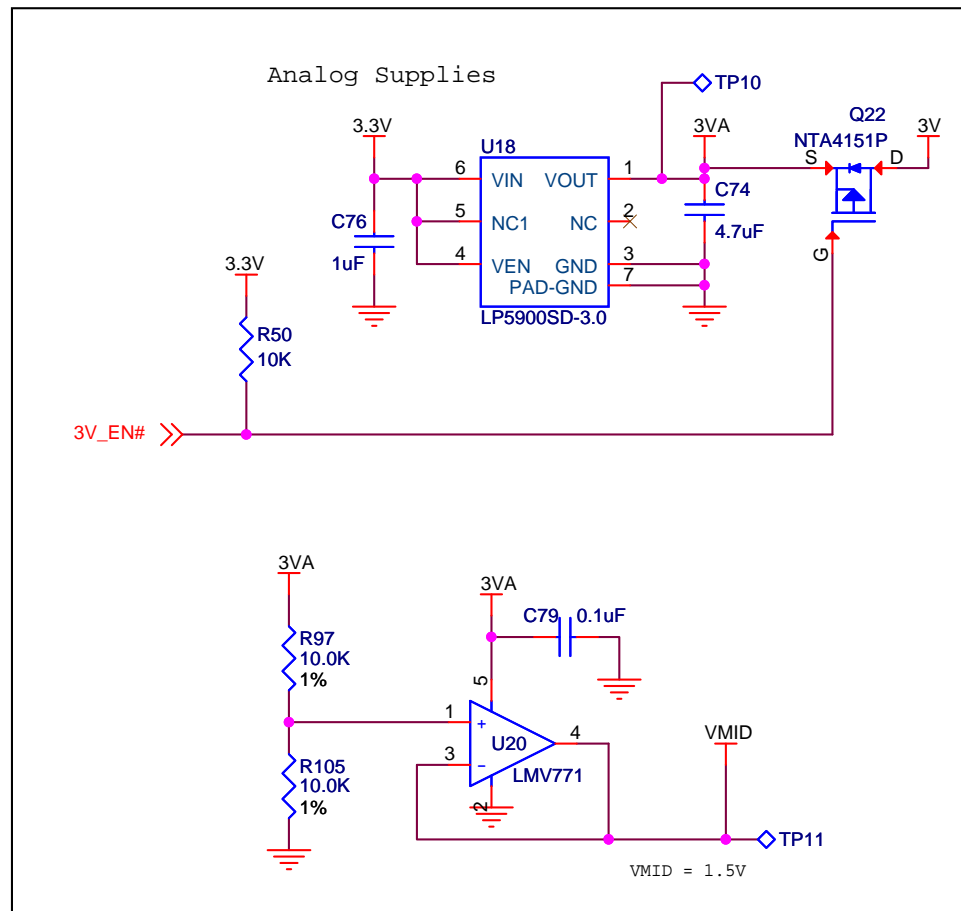
Sensors

		PROPRIETARY USE PURSUANT TO COMPANY INSTRUCTIONS	
		© 2012 ALL RIGHTS RESERVED	DRAWING NO. 1814E15
SIZE B	DATE 1-20-2014	SCALE: NO SCALE	SHEET 5 OF 8




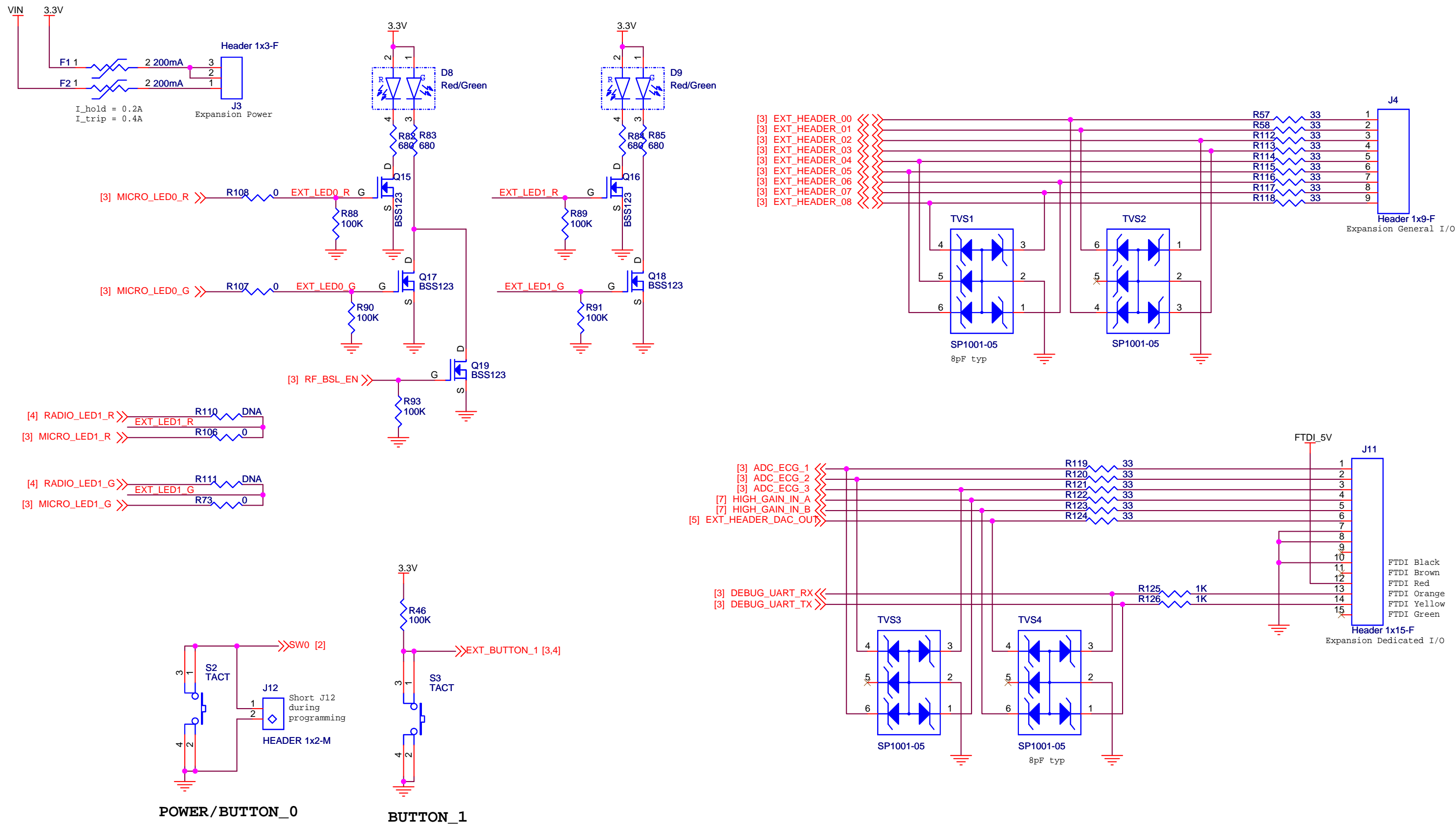
Encoder

		PROPRIETARY USE PURSUANT TO COMPANY INSTRUCTIONS	
		© 2012 ALL RIGHTS RESERVED	DRAWING NO. 1814E15
SIZE B	DATE 1-20-2014	SCALE: NO SCALE	SHEET 6 OF 8



Faraday Preamp, Analog Supply

 © 2012 ALL RIGHTS RESERVED		PROPRIETARY USE PURSUANT TO COMPANY INSTRUCTIONS	
		SIZE B	DATE 1-20-2014
SCALE: NO SCALE		SHEET 7 OF 8	



Expansion Connectors, UI

 © 2012 ALL RIGHTS RESERVED		PROPRIETARY USE PURSUANT TO COMPANY INSTRUCTIONS	
		SIZE B	DATE 1-20-2014
SCALE: NO SCALE		SHEET 8 OF 8	